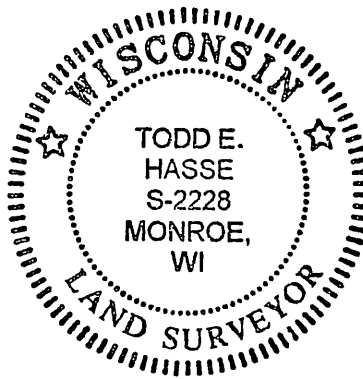


# PLAT OF SURVEY

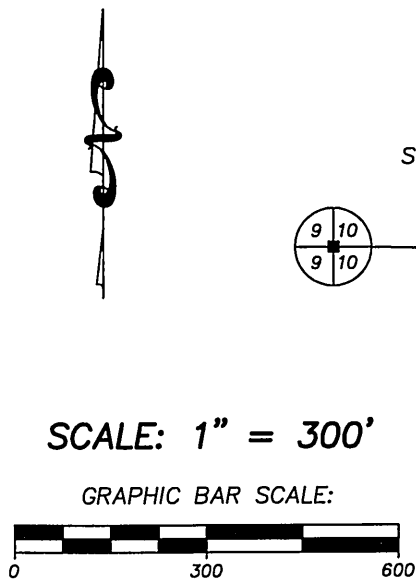
PART OF THE SE 1/4 OF SECTION 10, TOWNSHIP 3 NORTH, RANGE 8 EAST,  
TOWN OF MOUNT PLEASANT, GREEN COUNTY, WISCONSIN.

I, Todd E. Hasse, Registered Land Surveyor, S-2228, hereby certify that I have made this Plat of Survey under the direction of Donald & Marlis Silver and that I have surveyed, monumented and mapped the lands described hereon and that this map is a correct representation thereof in accordance with the information provided.

May 28th, 2014



*Todd E. Hasse*  
Todd E. Hasse R.L.S. - 2228



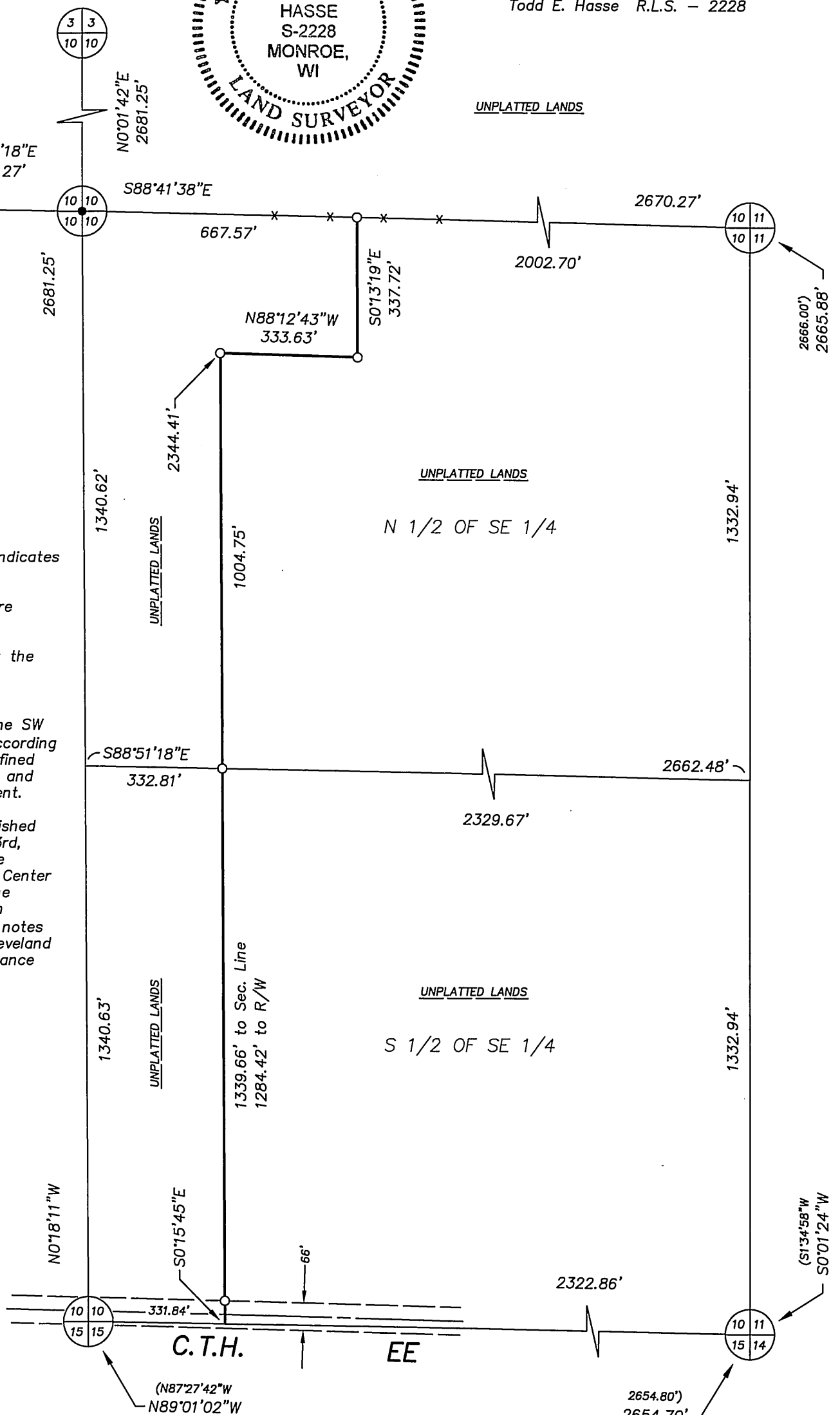
**NOTES:**

1. Bearings and distances shown in parenthesis, indicates recorded as data.
2. Road centerline and right-of-way locations were determined from the existing paved surface.
3. This Plat of Survey was prepared to monument the westerly property corners for Parcel No.'s 23-22-196.0, 23-22-197.0 & 23-22-200.0.
4. Bearings are referenced to the North line of the SW 1/4 of Section 10, which bears S89°09'18"E, according to the Green County Coordinate System, as defined by the Wisconsin Department of Transportation and determined by GPS observation, 2007 Adjustment.

The Center of Section 10 was previously established by County Surveyor A.L. Cleveland on March 23rd, 1868, as shown in Book 1, on Page 297 of the County Surveyor Records. During this time the Center of Section should have been established per the current Federal Method or by straight line from opposing 1/4 corners. Per Surveyor Cleveland's notes and existing fence line occupation, Surveyor Cleveland used the Equidistant Method or the same distance from opposing 1/4 corners.

**LEGEND:**

- Cast Aluminum monument found.
- Concrete monument with brass cap found.
- 3/4" X 24" solid round iron rod set, weighing 1.50 lbs per lineal ft.
- 3/4" X 24" solid round iron rod set, weighing 1.50 lbs per lineal ft.
- Existing fence line.



**PREPARED FOR:**

Donald & Marlis Silver  
N6585 Silver Road  
Monticello, WI 53570  
(608) 938-4217

JOB NO. 14015  
DRAWING C: \DRAWINGS\PLATS\14015.DWG

**HASSE SURVEYING**  
W5820 ILIFF ROAD  
MONROE, WI 53586  
(808) 325-5321 PHONE  
(808) 329-5321 FAX