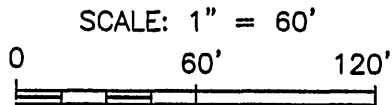
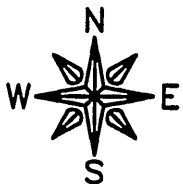
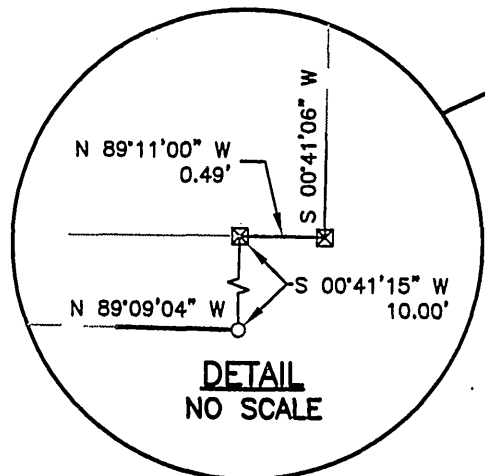
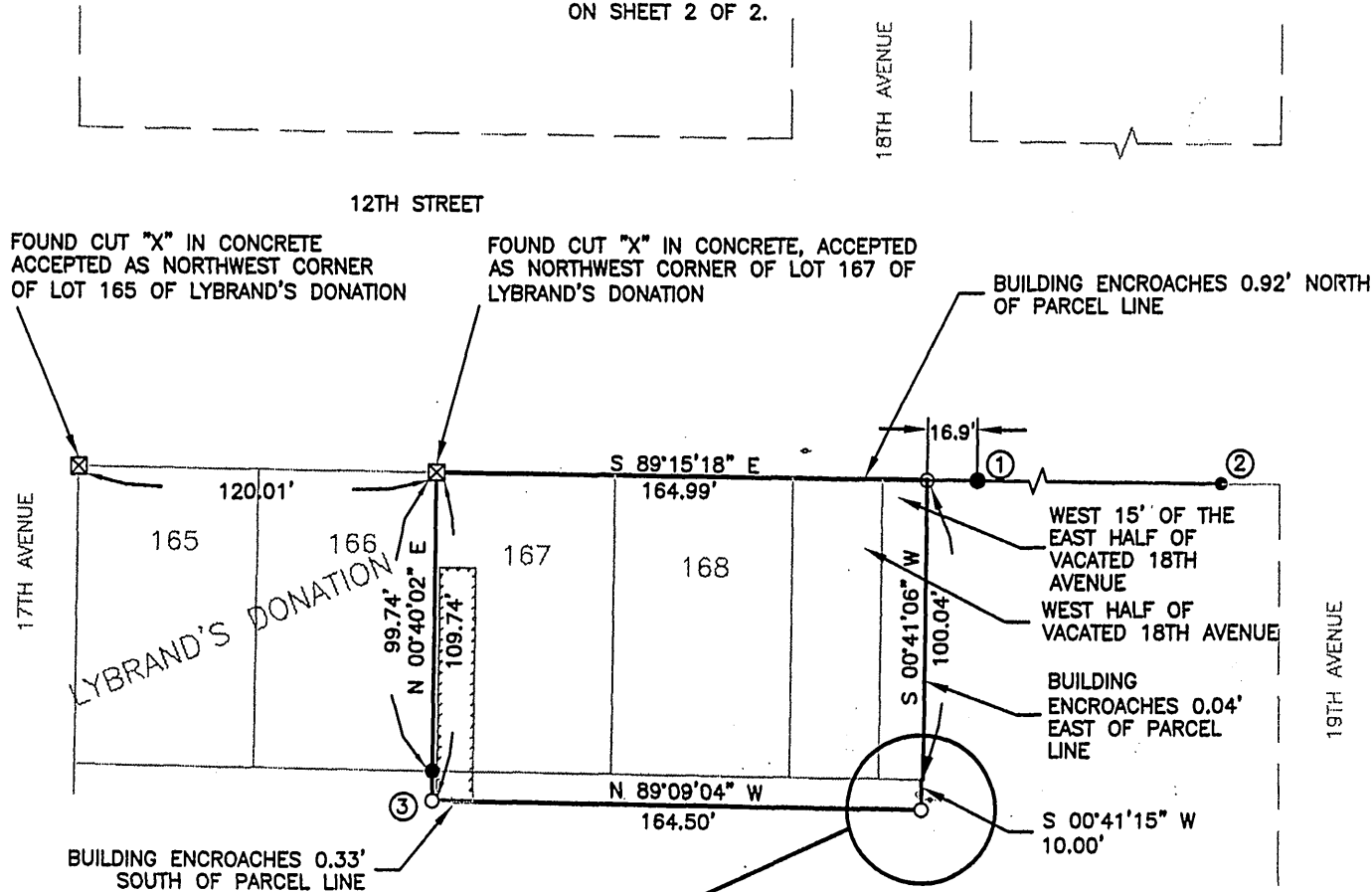


# PLAT OF SURVEY

IN CITY OF MONROE  
GREEN COUNTY, WISCONSIN

CLIENT:  
WISCONSIN CHEESE GROUP, INC.  
105 3RD STREET  
MONROE, WI 53566

BASED ON DOCUMENTS AND LEGAL DESCRIPTIONS  
ON SHEET 2 OF 2.



### LEGEND

- IRON PIPE - FOUND
- CAPPED 3/4" X 36" REBAR - SET
- ⊠ CUT "X" - SET
- ⊙ SURVEY NAIL - SET

### BASIS OF BEARINGS

S 89°15'18" ESTABLISHED AS BEARING OF SOUTH RIGHT-OF-WAY LINE OF 12TH STREET, USING THE NW CORNER OF LOT 165 AND KEY NOTE #2.

### KEY NOTES

- ① FOUND REBAR. ACCEPTED AS POINT ON SOUTH RIGHT-OF-WAY LINE OF 12TH STREET
- ② FOUND IRON PIPE. ACCEPTED AS POINT ON SOUTH RIGHT-OF-WAY LINE OF 12TH STREET
- ③ FOUND IRON PIPE.

### REGISTER OF DEEDS CERTIFICATE:

Received for record this \_\_\_ day of \_\_\_\_\_, 2008,  
at \_\_\_ o'clock \_\_\_ M., and recorded in Volume \_\_\_  
of PLATS OF SURVEY of GREEN COUNTY, ON Pages \_\_\_\_\_.

Register of Deeds

G:\EGLPT\07\47582\47582-fldpnts.dwg, sv-map LEG

SHEET 1 OF 2 2/12/08



**FEHR-GRAHAM & ASSOCIATES, LLC**  
ENGINEERING AND SCIENCE CONSULTANTS

© 2007 FEHR-GRAHAM & ASSOCIATES

221 E. MAIN ST. SUITE 200  
FREEPORT, IL 61032  
815/235-7843

1920 DAIMLER RD.  
ROCKFORD, IL 61112  
815/394-4700

515 LINCOLN HIGHWAY  
ROCHELLE, IL 61068  
815/562-9087

1107 18th AVENUE  
MONROE, WI 53566  
608/329-8400

Filed April 9th 2008 Vol 12 pg 25