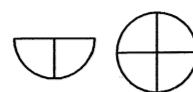
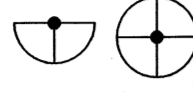





PLAT OF SURVEY

Part of the Southwest and Northwest 1/4s of the Southwest 1/4 and the Southeast and Southwest 1/4s of the Northwest 1/4 of Section 4 and the Southeast and Northeast 1/4s of the Southeast 1/4 and the Southeast 1/4 of the Northeast 1/4 of Section 5, Town 4 North, Range 8 East, Town of Exeter, Green County, Wisconsin.

- LEGEND:**
-  Cast aluminum monument found
 -  P.V.C. monument with brass cap found
 -  Survey mark spike found
 -  3/4" solid round iron rod found
 -  3/4" x 24" solid round iron rod set

That part of the Southwest and Northwest 1/4s of the Southwest 1/4 and the Southeast and Southwest 1/4s of the Northwest 1/4 of Section 4 and the Southeast and Northeast 1/4s of the Southeast 1/4 and the Southeast 1/4 of the Northeast 1/4 of Section 5, Town 4 North, Range 8 East, Town of Exeter, Green County, Wisconsin, bounded and described as follows:

Beginning at the Southeast corner of said Section 5; thence N89°31'52"W, 677.26' to the Southwest corner of the East 1/2 of the East 1/2 of the Southeast 1/4 of Section 5; thence N00°54'52"E, 2677.07' to the Northwest corner of the East 1/2 of the East 1/2 of the Southeast 1/4 of Section 5; thence N00°20'10"E, 1329.20' to the Northwest corner of the East 1/2 of the East 1/2 of the Southeast 1/4 of Section 5; thence S89°56'59"E, 687.68' to the Northwest corner of the South 1/2 of the Northwest 1/4 of Section 4; thence N89°14'55"E, 2660.76' to the Northeast corner of the South 1/2 of the Northwest 1/4 of Section 4; thence S00°57'56"W, 1315.54' to the Center 1/4 corner of Section 4; thence S89°08'14"W, 1323.44' to the Northeast corner of the West 1/2 of the Southwest 1/4 of Section 4; thence S01°02'40"W along the East line of the West 1/2 of the Southwest 1/4 of Section 4, 2409.95' to the Northeast corner of Lot 1 of Certified Survey Map 1553; thence N89°06'26"W (recorded as N87°44'10"W), 155.81' to the Northwest corner of Lot 1 of Certified Survey Map 1553; thence S01°02'40"W (recorded as S02°24'50"W), 282.19' to the Southwest corner of Lot 1 of Certified Survey Map 1553 and the South line of Section 4; thence S88°57'47"W along the South line of Section 4, 453.56'; thence N00°16'52"W, 992.90'; thence N87°41'56"W, 666.12'; thence S02°59'21"W, 828.80' to the West line of Section 4; thence S01°07'23"W, 205.00' to the point of beginning; subject to a public road right-of-way for Fahey Road.

I hereby certify that I have surveyed, monumented, and mapped the lands described herein, and that this map is a correct representation thereof in accordance with the information provided.

May 5, 2017

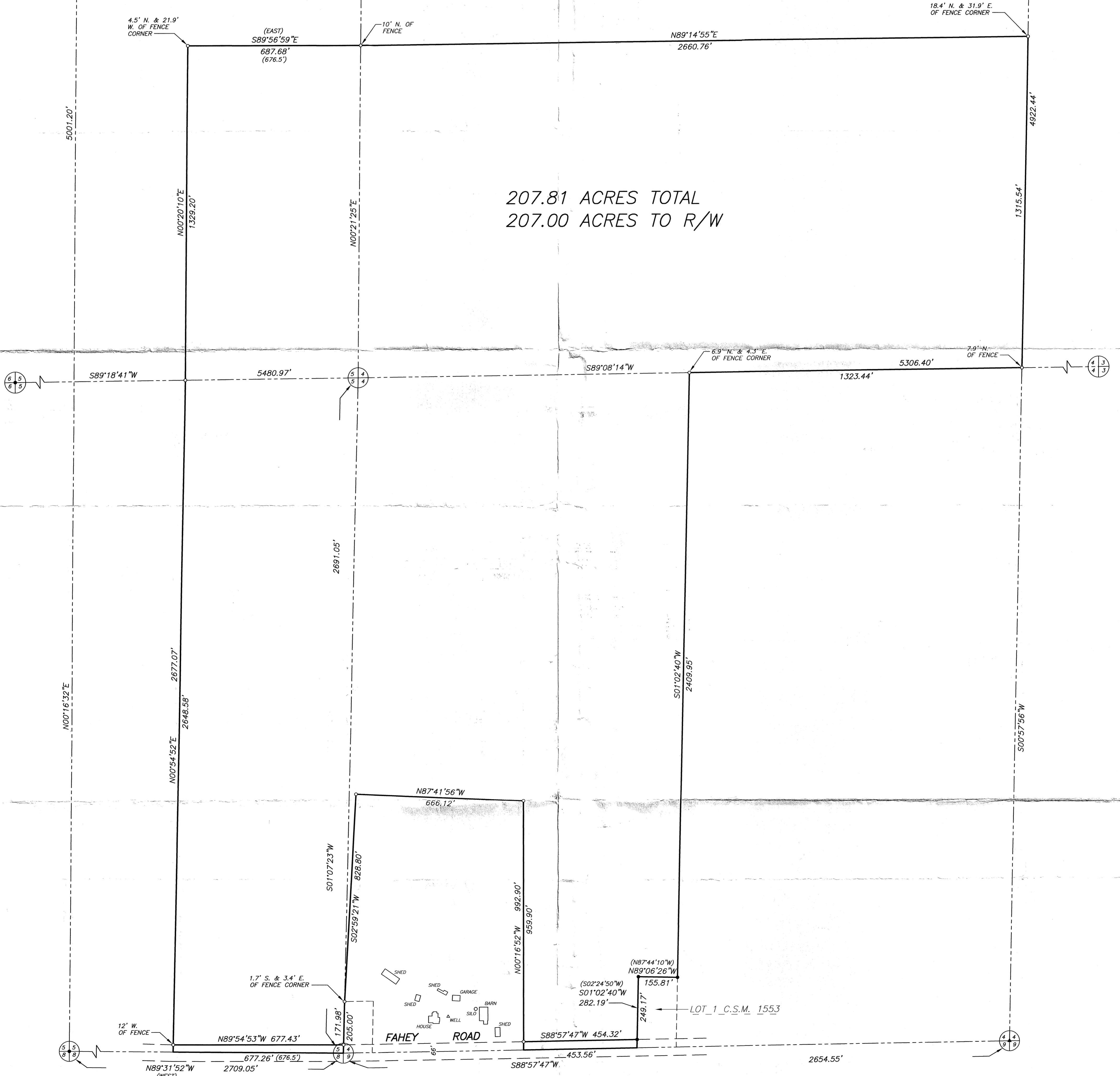
Robert A. Talarczyk
Robert A. Talarczyk, P.L.S.



NOTES:

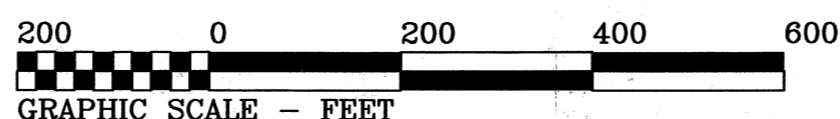
- 1) Bearings are referenced to the Wisconsin County Coordinate System, Green County Zone, NAD83 (2011), in which the South line of the Southwest 1/4 of Section 4 bears S88°57'47"W.
- 2) Recorded data, when different than measured, is shown in parenthesis.

207.81 ACRES TOTAL
207.00 ACRES TO R/W



PREPARED FOR:
Century 21 Zwygart Real Estate
c/o Nate Lancaster
521 6th Street
Monroe, WI 53566
(608) 329-2203

JOB NO. 17014
POINTS 17014
DRWG. 17014A
DRAWN BY RAT



TALARCZYK LAND SURVEYS
W5105 KUBLY ROAD
NEW GLARUS, WI 53574
PHONE 608/527-5216
www.talarczyksurveys.com