

PLAT OF SURVEY

That part of NE 1/4 of the SE 1/4, of Section 31 and part of Fractional Lot 4, of Section 32, Township 1 North, Range 6 East, Town of Cadiz, Green County, Wisconsin, the North line of a parcel of land Recorded as Document No. 576657, described as follows:

Commencing at the W 1/4 corner of Section 31; thence S89°41'34"E along the E/W 1/4 line, 3999.67' to the point of beginning; thence S89°41'34"E along the North line of the NE 1/4 of Section 31, 1322.02'; thence S0°22'35"W along the East line of the SE 1/4 of Section 31, 488.59'; thence S27°03'16"E, 145.16'; thence N88°19'10"E, 877.00' to the centerline of West River Road; thence N23°52'59"W along said centerline, 407.79'; thence Northwestery, 234.59' along said centerline and the arc of a curve to the left, whose radius is 217.00' and whose chord bears N54°51'13"W, 223.34'; thence S85°49'23"E, 191.70' +/- to the rivers edge and the end of this description; subject to a public road right-of-ways as shown and to any and all easements of record.

I, Todd E. Hasse, Professional Land Surveyor, S-2228, hereby certify that I have made this Plat of Survey under the direction of Layne Bidingmaier and that I have surveyed, monumented and mapped the lands described hereon and that this map is a correct representation thereof in accordance with the information that was provided.

April 8th, 2016

Todd E. Hasse
Todd E. Hasse P.L.S. - 2228


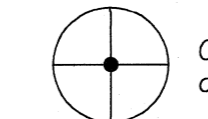


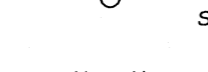

Field Apr. 28, 2017 Ver 15 pg 87

DETAIL DRAWING:
SCALE: 1" = 50'

UNPLATTED LANDS

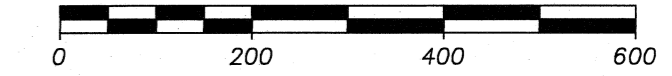
LINE TABLE:
(S86°14'34"E)
L1 = S85°49'23"E, 162.45'

LEGEND:

-  Cast Aluminum monument found.
-  Concrete monument with brass cap found.
-  Stone found.
-  3/4" solid round iron rod found.
-  3/4" X 24" solid round iron rod set, weighing 1.50 lbs per lineal ft.
-  Existing fence line (unless noted).

SCALE: 1" = 200'

GRAPHIC BAR SCALE:

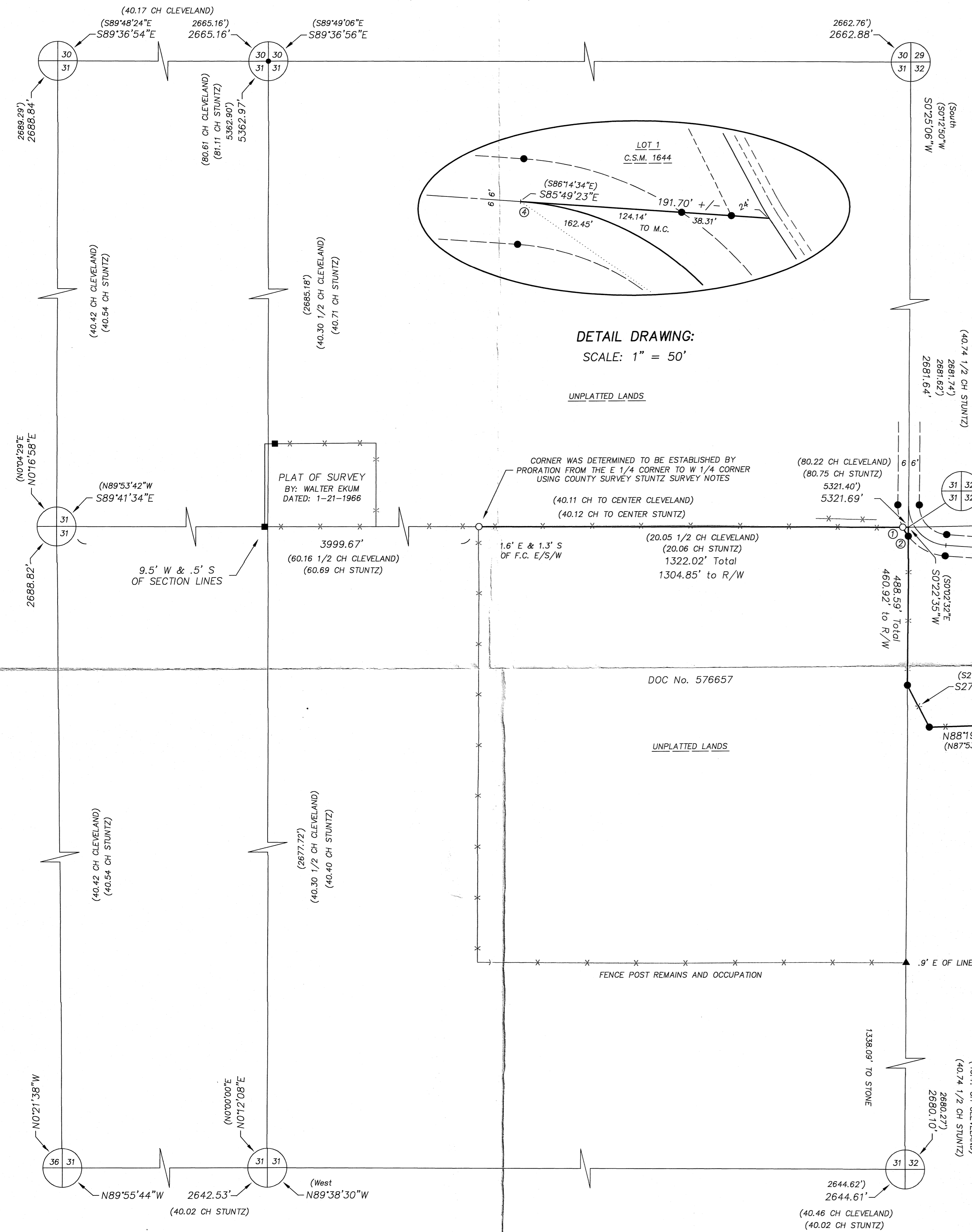


CURVE DATA:

CURVE	RADIUS	INT. ANGLE	ARC	CHORD	CHORD BEARING	TANGENT BEARING
1-2	157.00'	11°53'52"	32.60'	32.54'	S31°28'37"E	S37°25'33"E
3-4	217.00'	61°56'28"	234.59'	223.34'	N54°51'13"W	N85°49'27"W

NOTES:

- Bearings and distances shown in parenthesis, indicates recorded as data.
- Road centerline and right-of-way locations were determined from the existing paved surface and from surveys of public record.
- Bearings are referenced to the South line of the SE 1/4 of Section 31, which bears N89°38'30"W, according to the Green County Coordinate System, as defined by the Wisconsin Department of Transportation and determined by GPS observation, 2007 Adjustment.
- There was 2 County Surveyor Records that were used for this project. The first one was performed by County Surveyor A. L. Cleveland, as filed in Book 1 of the County Surveyors Records, on Page 261, Dated June 12th, 1867. The second one was performed by County Surveyor A. C. Struntz, as filed in Book 2 of the County Surveyors Records, Dated September 29th & 30th, 1886. Both of these surveys were performed at different times of how to establish the Center of Section. It appears that there is a major difference between the two in the length of the west half of the section as well. I did do a search of the area to try to find any stones as was set by these previous surveyors and I only found 1 stone as is graphically shown at the SE corner of the NE 1/4 of the SE 1/4 of Section 31.



PREPARED FOR:

Layne Bidingmaier
13861 Illinois Route 73
Winslow, IL 61089
(815) 291-4976

JOB NO. 17019
DRAWING C:\DRAWINGS\PLATS\17019.DWG

HASSE
SURVEYING, LLC
W5820 ILIFF ROAD
MONROE, WI 53566
(608) 325-5321 PHONE
(608) 329-5321 FAX